



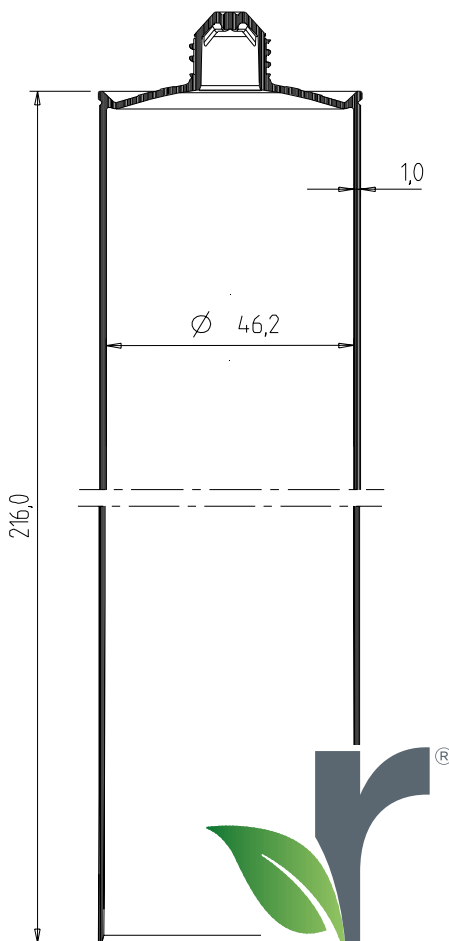
CARTRIDGES

TYPE rE 310 L

FISCHBACH RECYCLING CARTRIDGE

ADVANTAGEOUS FEATURES

- > cartridge for plastic and permanently elastic sealing compounds
- > the cartridge is equipped with a reduced wall thickness and is therefore suitable for products that are not storage critical, such as acrylic masses and accordingly adjusted silicon sealing compounds
- > ensures excellent application behavior and optimum emptying when used with corresponding Fischbach plunger
- > the cartridge is suitable for automatic filling, prefabrication with the corresponding nozzle and plunger systems and automatic end packaging



TECHNICAL SPECIFICATIONS

Material: HDPE with 50% PCR HDPE

Colour: GRAY similar to PMS 431 +/- 1 PMS color 

Volume: 310 ml

Weight: 37,5 g

Packaging unit: 140 pcs./box

General tolerance: DIN 16 901-150. Subject to technical changes.
Our product recommendations are based on empirical data only and cannot replace the customer's own tests



Certified by RecyClass

Fischbach GmbH
51766 Engelskirchen, Germany
Telefon: +49 2263 609 0
info@fischbach-fi.com

Fischbach Ibérica, S.A.
17410 Sils (Girona), Spain
Telefon: +34 972 168 487
spain@fischbach-fi.com

Fischbach Belgium N.V.
9140 Temse, Belgium
Telefon: +32 371 096 20
belgium@fischbach-fi.com

Fischbach USA LLC
 Elizabethtown, Kentucky, 42701 USA
Telefon: +1 270 769 9333
usa@fischbach-fi.com

Fischbach Korea Co., Ltd.
Songpa-Gu, Seoul, Korea
Telefon: +82 2 425 3092
korea@fischbach-fi.com

Fischbach (Shanghai) Co., Ltd.
Shanghai, China 201708
Telefon: +86 21 6979 1423
china@fischbach-fi.com

Fischbach U.K. Ltd.
Cheshire WA7 1SN, Great Britain
Telefon: +44 1928 579 320
uk@fischbach-fi.com

www.fischbach-fi.com



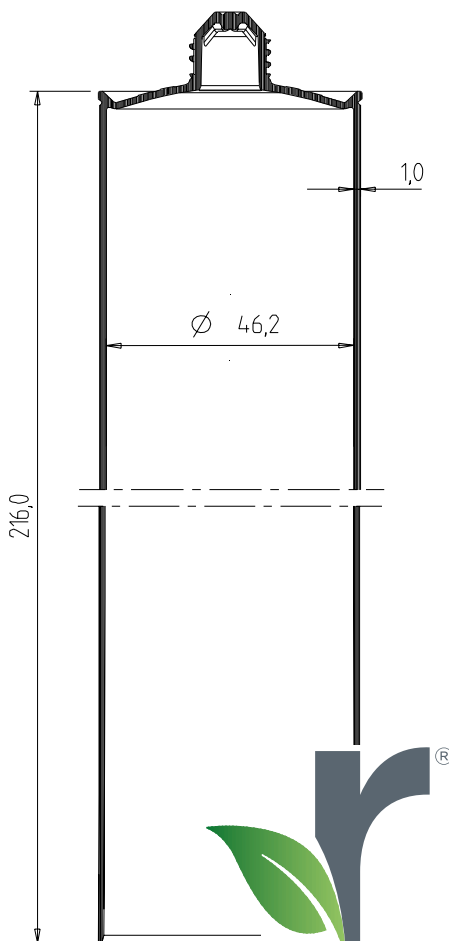
CARTRIDGES

TYPE rE 310 L

FISCHBACH RECYCLING CARTRIDGE

ADVANTAGEOUS FEATURES

- > cartridge for plastic and permanently elastic sealing compounds
- > the cartridge is equipped with a reduced wall thickness and is therefore suitable for products that are not storage critical, such as acrylic masses and accordingly adjusted silicon sealing compounds
- > ensures excellent application behavior and optimum emptying when used with corresponding Fischbach plunger
- > the cartridge is suitable for automatic filling, prefabrication with the corresponding nozzle and plunger systems and automatic end packaging



TECHNICAL SPECIFICATIONS

Material: HDPE with 95% PCR HDPE
 Colour: Black
 Volume: 310 ml
 Weight: 37,5 g
 Packaging unit: 140 pcs./box

General tolerance: DIN 16 901-150. Subject to technical changes.
 Our product recommendations are based on empirical data only and cannot replace the customer's own tests



Certified by RecyClass

Fischbach GmbH
 51766 Engelskirchen, Germany
 Telefon: +49 2263 609 0
 info@fischbach-fi.com

Fischbach Ibérica, S.A.
 17410 Sils (Girona), Spain
 Telefon: +34 972 168 487
 spain@fischbach-fi.com

Fischbach Belgium N.V.
 9140 Temse, Belgium
 Telefon: +32 371 096 20
 belgium@fischbach-fi.com

Fischbach USA LLC
 Elizabethtown, Kentucky, 42701 USA
 Telefon: +1 270 769 9333
 usa@fischbach-fi.com

Fischbach Korea Co., Ltd.
 Songpa-Gu, Seoul, Korea
 Telefon: +82 2 425 3092
 korea@fischbach-fi.com

Fischbach (Shanghai) Co., Ltd.
 Shanghai, China 201708
 Telefon: +86 21 6979 1423
 china@fischbach-fi.com

Fischbach U.K. Ltd.
 Cheshire WA7 1SN, Great Britain
 Telefon: +44 1928 579 320
 uk@fischbach-fi.com

www.fischbach-fi.com