



## CARTRIDGES


### TYPE rE 290 H

### FISCHBACH RECYCLING CARTRIDGE

#### ADVANTAGEOUS FEATURES

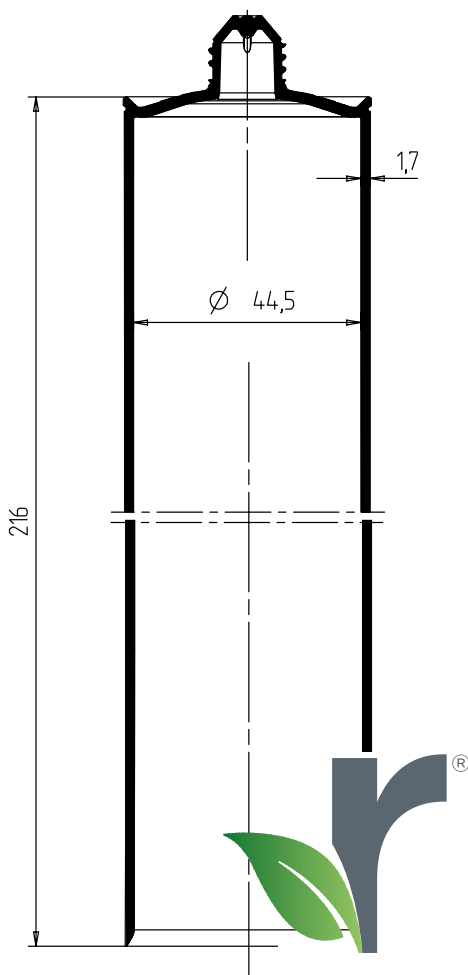
- > cartridge for plastic and permanently elastic sealing compounds
- > ensures excellent application behavior and optimum emptying when used with corresponding Fischbach plunger
- > the cartridge is suitable for automatic filling, prefabrication with the corresponding nozzle and plunger systems and automatic end packaging
- > the raw material used is suitable as a barrier against water vapor for many silicon, sealing and adhesive compounds

#### TECHNICAL SPECIFICATIONS

Material: HDPE with 50% PCR HDPE  
 Colour: GRAY similar to PMS 431 +/- 1 PMS color   
 Volume: 290 ml  
 Weight: 54,0 g  
 Packaging unit: 140 pcs./box or 64 pcs./bundle



Certified by RecyClass



General tolerance: DIN 16 901-150. Subject to technical changes.  
 Our product recommendations are based on empirical data only and cannot replace the customer's own tests

**Fischbach GmbH**  
 51766 Engelskirchen, Germany  
 Telefon: +49 2263 609 0  
 info@fischbach-fi.com

**Fischbach Ibérica, S.A.**  
 17410 Sils (Girona), Spain  
 Telefon: +34 972 168 487  
 spain@fischbach-fi.com

**Fischbach Belgium N.V.**  
 9140 Temse, Belgium  
 Telefon: +32 371 096 20  
 belgium@fischbach-fi.com

**Fischbach USA LLC**  
 Elizabethtown, Kentucky, 42701 USA  
 Telefon: +1 270 769 9333  
 usa@fischbach-fi.com

**Fischbach Korea Co., Ltd.**  
 Songpa-Gu, Seoul, Korea  
 Telefon: +82 2 425 3092  
 korea@fischbach-fi.com

**Fischbach (Shanghai) Co., Ltd.**  
 Shanghai, China 201708  
 Telefon: +86 21 6979 1423  
 china@fischbach-fi.com

**Fischbach U.K. Ltd.**  
 Cheshire WA7 1SN, Great Britain  
 Telefon: +44 1928 579 320  
 uk@fischbach-fi.com

[www.fischbach-fi.com](http://www.fischbach-fi.com)



## CARTRIDGES

### TYPE rE 290 H

### FISCHBACH RECYCLING CARTRIDGE

#### ADVANTAGEOUS FEATURES

- > cartridge for plastic and permanently elastic sealing compounds
- > ensures excellent application behavior and optimum emptying when used with corresponding Fischbach plunger
- > the cartridge is suitable for automatic filling, prefabrication with the corresponding nozzle and plunger systems and automatic end packaging
- > the raw material used is suitable as a barrier against water vapor for many silicon, sealing and adhesive compounds

#### TECHNICAL SPECIFICATIONS

Material: HDPE with 95% PCR HDPE

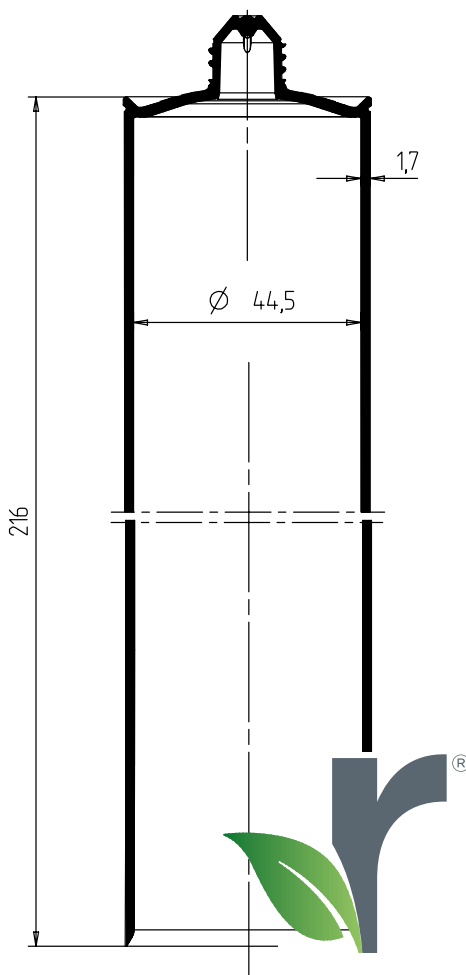
Colour: Black

Volume: 290 ml

Weight: 54,0 g

Packaging unit: 140 pcs./box or 64 pcs./bundle

General tolerance: DIN 16 901-150. Subject to technical changes.  
Our product recommendations are based on empirical data only and cannot replace the customer's own tests



Certified by RecyClass

**Fischbach GmbH**  
51766 Engelskirchen, Germany  
Telefon: +49 2263 609 0  
info@fischbach-fi.com

**Fischbach Ibérica, S.A.**  
17410 Sils (Girona), Spain  
Telefon: +34 972 168 487  
spain@fischbach-fi.com

**Fischbach Belgium N.V.**  
9140 Temse, Belgium  
Telefon: +32 371 096 20  
belgium@fischbach-fi.com

**Fischbach USA LLC**  
Elizabethtown, Kentucky, 42701 USA  
Telefon: +1 270 769 9333  
usa@fischbach-fi.com

**Fischbach Korea Co., Ltd.**  
Songpa-Gu, Seoul, Korea  
Telefon: +82 2 425 3092  
korea@fischbach-fi.com

**Fischbach (Shanghai) Co., Ltd.**  
Shanghai, China 201708  
Telefon: +86 21 6979 1423  
china@fischbach-fi.com

**Fischbach U.K. Ltd.**  
Cheshire WA7 1SN, Great Britain  
Telefon: +44 1928 579 320  
uk@fischbach-fi.com

[www.fischbach-fi.com](http://www.fischbach-fi.com)