



## NOZZLES

### TYPE V-SEAM NOZZLE

#### CAN BE COMBINED WITH

150 ml, 280 ml, 290 ml, 300 ml and 310 ml Fischbach cartridges and the E 900 S special cartridge

#### ADVANTAGEOUS FEATURES

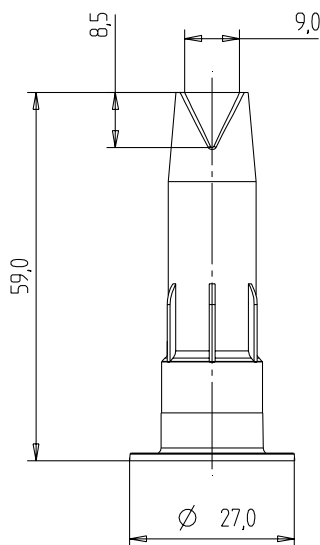
- > suitable for many applications
- > designed as a V-shaped application strand
- > nozzle with extra wide edge

#### TECHNICAL SPECIFICATION

Material: HDPE

Weight: 2,5 g

Packaging unit: 2500 pcs./box



General tolerance:

DIN 16 901-150. Subject to technical changes.

Our product recommendations are based on empirical data only and cannot replace the customer's own tests.



**Fischbach KG**  
51766 Engelskirchen, Germany  
Telefon: +49 (0) 2263 6090 T  
info@fischbach-fi.com

**Fischbach Korea Co., Ltd.**  
Songpa-Gu, Seoul, Korea  
Telefon: +82 2 425 3092  
korea@fischbach-fi.com

**Fischbach Ibérica, S.A.**  
17410 Sils (Girona), Spain  
Telefon: +34-972-16 84 87  
spain@fischbach-fi.com

**Fischbach (Shanghai) Co., Ltd.**  
Shanghai, China 201708  
Telefon: +86-21-6979-1423  
china@fischbach-fi.com

**Fischbach Belgium N.V.**  
9140 Temse, Belgium  
Telefon: +32-3-710 96 20  
belgium@fischbach-fi.com

**Fischbach U.K. Ltd.**  
Cheshire WA7 1SN, Great Britain  
Telefon: +44-1928-579320  
uk@fischbach-fi.com

**Fischbach USA Inc.**  
Elizabethtown, Kentucky, 42701  
USA  
Telefon: +1-270-7 69 93 33  
usa@fischbach-fi.com

[www.fischbach-fi.com](http://www.fischbach-fi.com)