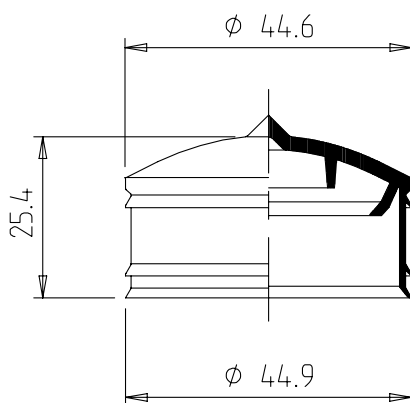




## PLUNGERS

### TYPE K 30 F



General tolerance:  
DIN 16 901-150. Subject to technical changes.  
Our product recommendations are based on  
empirical data only and cannot replace the  
customer's own tests.

#### CAN BE COMBINED WITH

290 ml Fischbach cartridges

#### ADVANTAGEOUS FEATURES

- > suitable for sealing compounds and adhesives with higher sensitivity to water vapor
- > good mechanical handling especially on fully automatic filling lines
- > the convex plunger head enables plunger setting
- > the inwardly slanted plunger expanding ring increases the plunger diameter during pressing for optimum emptying of the cartridge even with viscous masses
- > mechanical and pneumatic devices can be used for applying the product
- > little or no emerging of product from the nozzle after completion of pressing

#### TECHNICAL SPECIFICATIONS

Material: HDPE  
Weight: 6,5 g  
Packaging unit: 1500 pcs./box



**Fischbach KG**  
51766 Engelskirchen, Germany  
Telefon: +49 (0) 2263 6090  
info@fischbach-fi.com

**Fischbach Ibérica, S.A.**  
17410 Sils (Girona), Spain  
Telefon: +34-972-16 84 87  
spain@fischbach-fi.com

**Fischbach Belgium N.V.**  
9140 Temse, Belgium  
Telefon: +32-3-710 96 20  
belgium@fischbach-fi.com

**Fischbach USA Inc.**  
 Elizabethtown, Kentucky, 42701 USA  
Telefon: +1-270-7 69 93 33  
usa@fischbach-fi.com

**Fischbach Korea Co., Ltd.**  
Songpa-Gu, Seoul, Korea  
Telefon: +82 2 425 3092  
korea@fischbach-fi.com

**Fischbach (Shanghai) Co., Ltd.**  
Shanghai, China 201708  
Telefon: +86-21-6979-1423  
china@fischbach-fi.com

**Fischbach U.K. Ltd.**  
Cheshire WA7 1SN, Great Britain  
Telefon: +44-1928-579320  
uk@fischbach-fi.com

[www.fischbach-fi.com](http://www.fischbach-fi.com)