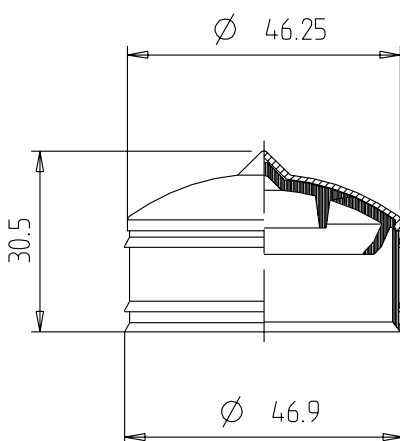




PLUNGERS

TYPE K 12



General tolerance:
DIN 16 901-150. Subject to technical changes.
Our product recommendations are based on
empirical data only and cannot replace the
customer's own tests.

CAN BE COMBINED WITH

310 ml Fischbach PA cartridges

ADVANTAGEOUS FEATURES

- > can be used for many adhesives containing solvents
- > good mechanical handling especially on fully automatic filling lines
- > the convex plunger head enables plunger setting without trapping of air
- > the inwardly slanted plunger expanding ring increases the plunger diameter during pressing for optimum emptying of the cartridge even with viscous masses
- > mechanical and pneumatic devices can be used for applying the product
- > the flexible sealing lips also create a seal against application devices that use compressed air

TECHNICAL SPECIFICATIONS

Material: LDPE / PA
Weight: 6,8 g
Packaging unit: 1250 pcs./box



Fischbach KG
51766 Engelskirchen, Germany
Telefon: +49 (0) 2263 6090 T
info@fischbach-fi.com

Fischbach Korea Co., Ltd.
Songpa-Gu, Seoul, Korea
Telefon: +82 2 425 3092
korea@fischbach-fi.com

Fischbach Ibérica, S.A.
17410 Sils (Girona), Spain
Telefon: +34-972-16 84 87
spain@fischbach-fi.com

Fischbach (Shanghai) Co., Ltd.
Shanghai, China 201708
Telefon: +86-21-6979-1423
china@fischbach-fi.com

Fischbach Belgium N.V.
9140 Temse, Belgium
Telefon: +32-3-710 96 20
belgium@fischbach-fi.com

Fischbach U.K. Ltd.
Cheshire WA7 1SN, Great Britain
Telefon: +44-1928-579320
uk@fischbach-fi.com

Fischbach USA Inc.
Elizabethtown, Kentucky, 42701
USA
Telefon: +1-270-7 69 93 33
usa@fischbach-fi.com

www.fischbach-fi.com