



## CARTRIDGES

### TYPE ED 310 L

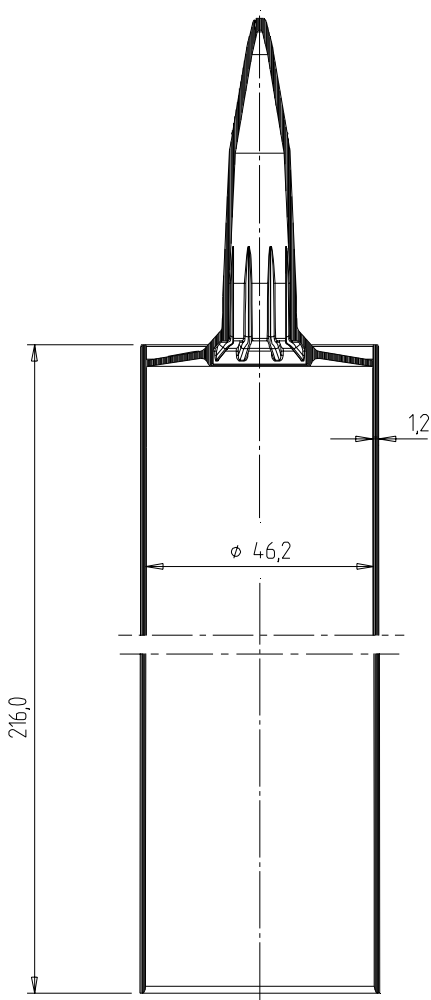
#### ADVANTAGEOUS FEATURES

- > single-piece cartridge with integrated application nozzle for plastic and permanently elastic sealing compounds
- > optionally with or without foil seal on cartridge shoulder
- > the cartridge is equipped with a reduced wall thickness and is therefore suitable for products that are not storage critical, such as acrylic masses and accordingly adjusted silicon sealing compounds
- > ensures excellent application behavior and optimum emptying when used with corresponding Fischbach plunger
- > the cartridge is suitable for automatic filling, prefabrication with the corresponding plunger systems and automatic end packaging

#### TECHNICAL SPECIFICATIONS

Material: HDPE  
 Volume 310 ml  
 Weight: 39,0 g  
 Packaging unit: 140 pcs./box or 64 pcs./bundle

General tolerance: DIN 16 901-150. Subject to technical changes.  
 Our product recommendations are based on empirical data only and cannot replace the customer's own tests



**Fischbach GmbH**  
 51766 Engelskirchen, Germany  
 Telefon: +49 2263 609 0  
[info@fischbach-fi.com](mailto:info@fischbach-fi.com)

**Fischbach Ibérica, S.A.**  
 17410 Sils (Girona), Spain  
 Telefon: +34 972 168 487  
[spain@fischbach-fi.com](mailto:spain@fischbach-fi.com)

**Fischbach Belgium N.V.**  
 9140 Temse, Belgium  
 Telefon: +32 371 096 20  
[belgium@fischbach-fi.com](mailto:belgium@fischbach-fi.com)

**Fischbach USA LLC**  
 Elizabethtown, Kentucky, 42701 USA  
 Telefon: +1 270 769 9333  
[usa@fischbach-fi.com](mailto:usa@fischbach-fi.com)

**Fischbach Korea Co., Ltd.**  
 Songpa-Gu, Seoul, Korea  
 Telefon: +82 2 425 3092  
[korea@fischbach-fi.com](mailto:korea@fischbach-fi.com)

**Fischbach (Shanghai) Co., Ltd.**  
 Shanghai, China 201708  
 Telefon: +86 21 6979 1423  
[china@fischbach-fi.com](mailto:china@fischbach-fi.com)

**Fischbach U.K. Ltd.**  
 Cheshire WA7 1SN, Great Britain  
 Telefon: +44 1928 579 320  
[uk@fischbach-fi.com](mailto:uk@fischbach-fi.com)

[www.fischbach-fi.com](http://www.fischbach-fi.com)