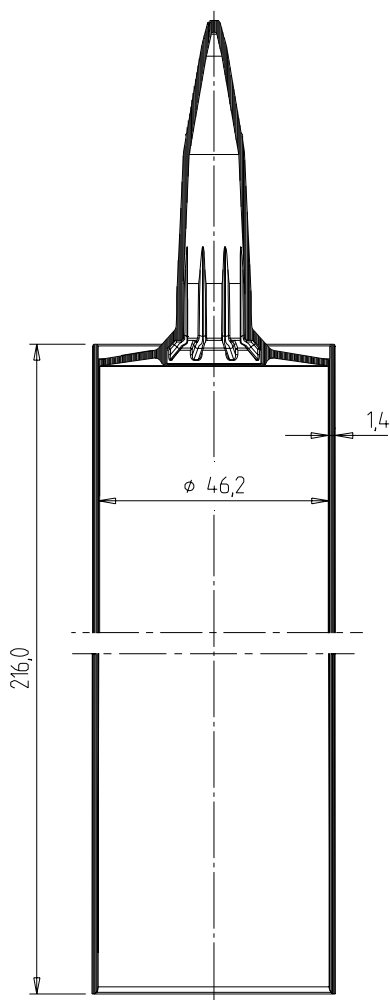




CARTRIDGES

TYPE ED 310



ADVANTAGEOUS FEATURES

- > single-piece cartridge with integrated application nozzle for plastic and permanently elastic sealing compounds
- > optionally with or without foil seal on cartridge shoulder
- > ensures excellent application behavior and optimum emptying when used with corresponding Fischbach plunger
- > the cartridge is suitable for automatic filling, prefabrication with the corresponding plunger systems and automatic end packaging
- > the raw material used is suitable as a barrier against water vapor for many silicon, sealing and adhesive compounds

TECHNICAL SPECIFICATIONS

Material: HDPE
 Volume: 310 ml
 Weight: 45,0 g
 Packaging unit: 140 pcs./box or 64 pcs./box

General tolerance: DIN 16 901-150. Subject to technical changes.
 Our product recommendations are based on empirical data only and cannot replace the customer's own tests

Fischbach KG
 51766 Engelskirchen, Germany
 Telefon: +49 (0) 2263 6090 T
info@fischbach-fi.com

Fischbach Ibérica, S.A.
 17410 Sils (Girona), Spain
 Telefon: +34-972-16 84 87
spain@fischbach-fi.com

Fischbach Belgium N.V.
 9140 Temse, Belgium
 Telefon: +32-3-710 96 20
belgium@fischbach-fi.com

Fischbach USA Inc.
 Elizabethtown, Kentucky, 42701
 USA
 Telefon: +1-270-7 69 93 33
usa@fischbach-fi.com

Fischbach Korea Co., Ltd.
 Songpa-Gu, Seoul, Korea
 Telefon: +82 2 425 3092
korea@fischbach-fi.com

Fischbach (Shanghai) Co., Ltd.
 Shanghai, China 201708
 Telefon: +86-21-6979-1423
china@fischbach-fi.com

Fischbach U.K. Ltd.
 Cheshire WA7 1SN, Great Britain
 Telefon: +44-1928-579320
uk@fischbach-fi.com

www.fischbach-fi.com