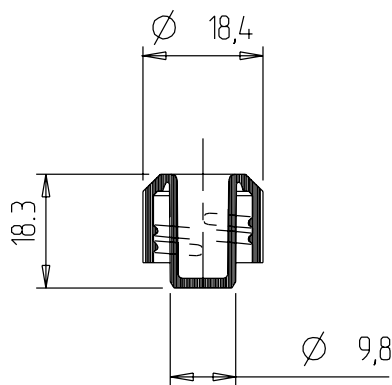




ACCESSORIES

SCREWED PLUG WITH SEAL



CAN BE COMBINED WITH

150 ml, 280 ml, 290 ml, 300 ml and 310 ml Fischbach cartridges and the E 900 S special cartridge

ADVANTAGEOUS FEATURES

- > seal for extended storage of Fischbach cartridges after opening
- > especially suitable for the Fischbach cartridge G 32 O

TECHNICAL SPECIFICATIONS

Material: LDPE

Weight: 1,6 g

Packaging unit: 5000 pcs./box

General tolerance:

DIN 16 901-150. Subject to technical changes.

Our product recommendations are based on empirical data only and cannot replace the customer's own tests.

Fischbach GmbH
51766 Engelskirchen, Germany
Telefon: +49 (0) 2263 6090
info@fischbach-fi.com

Fischbach Ibérica, S.A.
17410 Sils (Girona), Spain
Telefon: +34-972-16 84 87
spain@fischbach-fi.com

Fischbach Belgium N.V.
9140 Temse, Belgium
Telefon: +32-3-710 96 20
belgium@fischbach-fi.com

Fischbach USA LLC
 Elizabethtown, Kentucky, 42701 USA
Telefon: +1-270-7 69 93 33
usa@fischbach-fi.com

Fischbach Korea Co., Ltd.
Songpa-Gu, Seoul, Korea
Telefon: +82 2 425 3092
korea@fischbach-fi.com

Fischbach (Shanghai) Co., Ltd.
Shanghai, China 201708
Telefon: +86-21-6979-1423
china@fischbach-fi.com

Fischbach U.K. Ltd.
Cheshire WA7 1SN, Great Britain
Telefon: +44-1928-579320
uk@fischbach-fi.com

www.fischbach-fi.com