



ACCESSORIES

LID GREASE CARTRIDGE – SMALL

CAN BE COMBINED WITH

grease cartridge F 40

ADVANTAGEOUS FEATURES

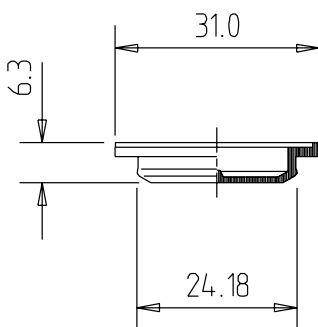
- > already integrated in grease cartridge as supplied
- > easy to open without tools or with blunt objects

TECHNICAL SPECIFICATIONS

Material: HDPE

Weight: 1,2 g

Packaging unit: 10000 pcs./box



General tolerance:

DIN 16 901-150. Subject to technical changes.

Our product recommendations are based on empirical data only and cannot replace the customer's own tests.



Fischbach KG
51766 Engelskirchen, Germany
Telefon: +49 (0) 2263 6090 T
info@fischbach-fi.com

Fischbach Korea Co., Ltd.
Songpa-Gu, Seoul, Korea
Telefon: +82 2 425 3092
korea@fischbach-fi.com

Fischbach Ibérica, S.A.
17410 Sils (Girona), Spain
Telefon: +34-972-16 84 87
spain@fischbach-fi.com

Fischbach (Shanghai) Co., Ltd.
Shanghai, China 201708
Telefon: +86-21-6979-1423
china@fischbach-fi.com

Fischbach Belgium N.V.
9140 Temse, Belgium
Telefon: +32-3-710 96 20
belgium@fischbach-fi.com

Fischbach U.K. Ltd.
Cheshire WA7 1SN, Great Britain
Telefon: +44-1928-579320
uk@fischbach-fi.com

Fischbach USA Inc.
Elizabethtown, Kentucky, 42701
USA
Telefon: +1-270-7 69 93 33
usa@fischbach-fi.com

www.fischbach-fi.com