



CARTRIDGES

TYPE ED 310 L

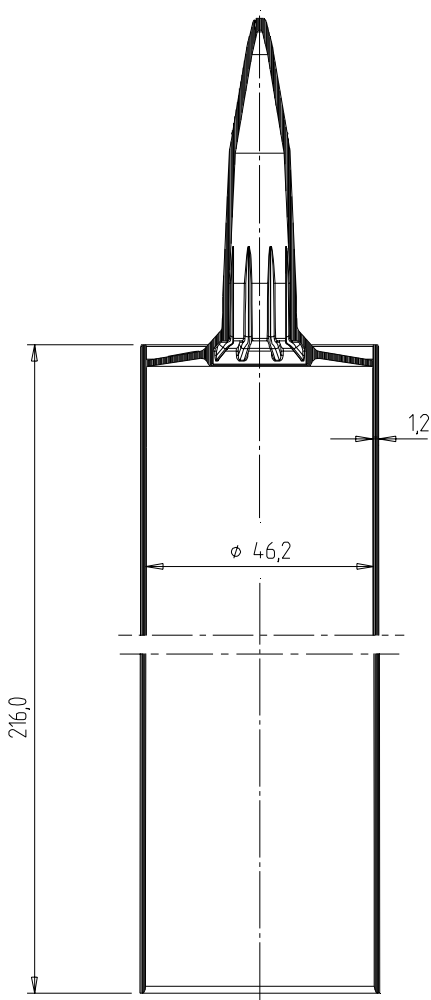
ADVANTAGEOUS FEATURES

- > single-piece cartridge with integrated application nozzle for plastic and permanently elastic sealing compounds
- > optionally with or without foil seal on cartridge shoulder
- > the cartridge is equipped with a reduced wall thickness and is therefore suitable for products that are not storage critical, such as acrylic masses and accordingly adjusted silicon sealing compounds
- > ensures excellent application behavior and optimum emptying when used with corresponding Fischbach plunger
- > the cartridge is suitable for automatic filling, prefabrication with the corresponding plunger systems and automatic end packaging

TECHNICAL SPECIFICATIONS

Material: HDPE
 Volume 310 ml
 Weight: 39,0 g
 Packaging unit: 140 pcs./box or 64 pcs./bundle

General tolerance: DIN 16 901-150. Subject to technical changes.
 Our product recommendations are based on empirical data only and cannot replace the customer's own tests



Fischbach KG
 51766 Engelskirchen, Germany
 Telefon: +49 2263 609 0
info@fischbach-fi.com

Fischbach Ibérica, S.A.
 17410 Sils (Girona), Spain
 Telefon: +34 972 168 487
spain@fischbach-fi.com

Fischbach Belgium N.V.
 9140 Temse, Belgium
 Telefon: +32 371 096 20
belgium@fischbach-fi.com

Fischbach USA Inc.
 Elizabethtown, Kentucky, 42701 USA
 Telefon: +1 270 769 9333
usa@fischbach-fi.com

Fischbach Korea Co., Ltd.
 Songpa-Gu, Seoul, Korea
 Telefon: +82 2 425 3092
korea@fischbach-fi.com

Fischbach (Shanghai) Co., Ltd.
 Shanghai, China 201708
 Telefon: +86 21 6979 1423
china@fischbach-fi.com

Fischbach U.K. Ltd.
 Cheshire WA7 1SN, Great Britain
 Telefon: +44 1928 579 320
uk@fischbach-fi.com

www.fischbach-fi.com