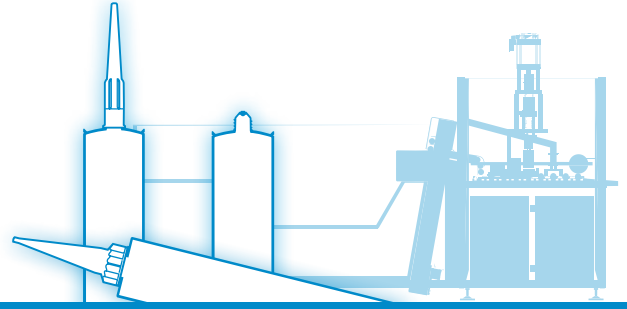
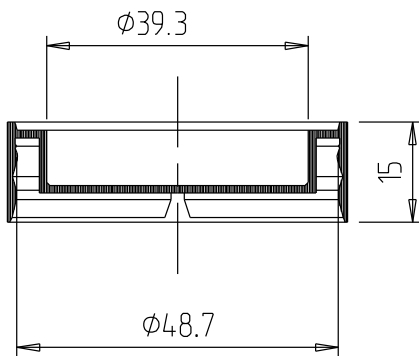


# Accessories



## Slip-on cap V 01



### CAN BE COMBINED WITH

150 ml, 290 ml and 310 ml Fischbach cartridges with exception of the cartridges E 310 L and ED 310 L

### ADVANTAGEOUS FEATURES

- seals cartridge on the open piston side
- protects the piston
- prevents emergence of creeping media from the cartridge

### TECHNICAL SPECIFICATIONS

**Material:** HDPE  
**Weight:** 5.6 g  
**Packaging unit:** 15,00 pieces/box

General tolerance: DIN 16 901-150. Subject to technical changes.  
 Our product recommendations are based on empirical data only and cannot replace the customer's own tests.



**Fischbach KG**  
 51766 Engelskirchen, Germany  
 Telefon: +49 (0) 2263 6090  
 Telefax: +49 (0) 2263 60358  
 info@fischbach-fi.com

**Fischbach Korea Co., Ltd.**  
 Songpa-Gu, Seoul, Korea  
 Telefon: +82 2 425 3092  
 Telefax: +82 2 425 3191  
 korea@fischbach-fi.com

**Fischbach Ibérica, S.A.**  
 17410 Sils (Girona), Spain  
 Telefon: +34-972-16 84 87  
 Telefax: +34-972-16 83 24  
 spain@fischbach-fi.com

**Fischbach (Shanghai) Co., Ltd.**  
 Shanghai, China 201708  
 Telefon: +86-21-6979-1423  
 Telefax: +86-21-6979-1426  
 china@fischbach-fi.com

**Fischbach Belgium N.V.**  
 9140 Temse, Belgium  
 Telefon: +32-3-710 96 20  
 Telefax: +32-3-710 96 31  
 belgium@fischbach-fi.com

**Fischbach U.K. Ltd.**  
 Cheshire WA7 1SN, Great Britain  
 Telefon: +44-1928-579320  
 Telefax: +44-1928-579403  
 uk@fischbach-fi.com

**Fischbach USA Inc.**  
 Elizabethtown, Kentucky, 42701 USA  
 Telefon: +1-270-7 69 93 33  
 Telefax: +1-270-7 69 96 23  
 usa@fischbach-fi.com