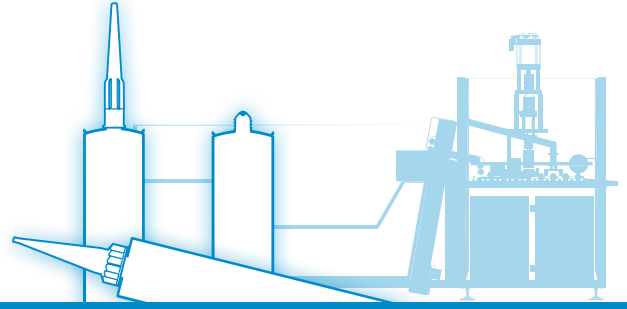
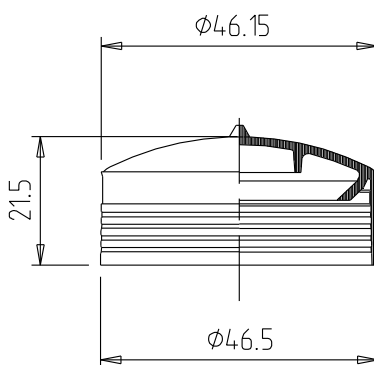


Plungers



Type K 18 flat



CAN BE COMBINED WITH

310 ml Fischbach cartridges

ADVANTAGEOUS FEATURES

- suitable for most sealing compounds
- good mechanical handling especially on fully automatic filling lines
- the convex plunger head enables plunger setting without trapping of air
- the inwardly slanted plunger expanding ring increases the plunger diameter during pressing for more efficient emptying of the cartridge even with viscous masses
- mechanical and pneumatic devices can be used for applying the product

TECHNICAL SPECIFICATIONS

Material: HDPE
Weight: 5.4 g
Packaging unit: 1,120 Pieces/box

General tolerance: DIN 16 901-150. Subject to technical changes.
 Our product recommendations are based on empirical data only and cannot replace the customer's own tests.



Fischbach KG
 51766 Engelskirchen, Germany
 Telefon: +49 (0) 2263 6090
 Telefax: +49 (0) 2263 60358
 info@fischbach-fi.com

Fischbach Korea Co., Ltd.
 Songpa-Gu, Seoul, Korea
 Telefon: +82 2 425 3092
 Telefax: +82 2 425 3191
 korea@fischbach-fi.com

Fischbach Ibérica, S.A.
 17410 Sils (Girona), Spain
 Telefon: +34-972-16 84 87
 Telefax: +34-972-16 83 24
 spain@fischbach-fi.com

Fischbach (Shanghai) Co., Ltd.
 Shanghai, China 201708
 Telefon: +86-21-6979-1423
 Telefax: +86-21-6979-1426
 china@fischbach-fi.com

Fischbach Belgium N.V.
 9140 Temse, Belgium
 Telefon: +32-3-710 96 20
 Telefax: +32-3-710 96 31
 belgium@fischbach-fi.com

Fischbach U.K. Ltd.
 Cheshire WA7 1SN, Great Britain
 Telefon: +44-1928-579320
 Telefax: +44-1928-579403
 uk@fischbach-fi.com

Fischbach USA Inc.
 Elizabethtown, Kentucky, 42701 USA
 Telefon: +1-270-7 69 93 33
 Telefax: +1-270-7 69 96 23
 usa@fischbach-fi.com