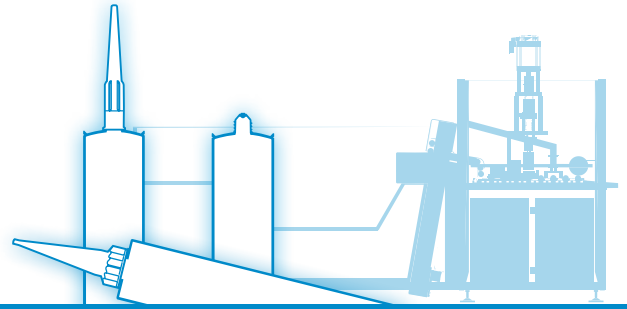
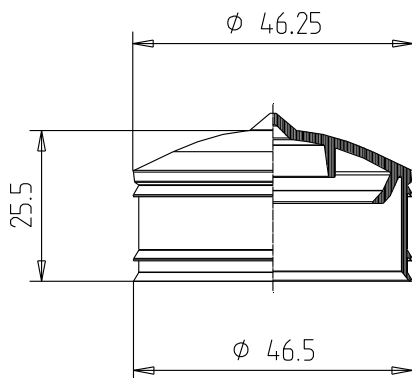


# Plungers



## Type K 11 HD



### CAN BE COMBINED WITH

310 ml Fischbach cartridges

### ADVANTAGEOUS FEATURES

- suitable for most sealing compounds
- good mechanical handling especially on fully automatic filling lines
- the convex plunger head enables plunger setting without trapping of air
- the inwardly slanted plunger expanding ring increases the plunger diameter during application for more efficient emptying of the cartridge even at high pressing forces and with viscous masses
- mechanical and pneumatic devices can be used for applying the product

### TECHNICAL SPECIFICATIONS

<b>Material:</b>	HDPE
<b>Weight:</b>	6.8 g
<b>Packaging unit:</b>	1,500 Pieces/box

General tolerance: DIN 16 901-150. Subject to technical changes.

Our product recommendations are based on empirical data only and cannot replace the customer's own tests.



**Fischbach KG**  
51766 Engelskirchen, Germany  
Telefon: +49 (0) 2263 6090  
Telefax: +49 (0) 2263 60358  
info@fischbach-fi.com

**Fischbach Korea Co., Ltd.**  
Songpa-Gu, Seoul, Korea  
Telefon: +82 2 425 3092  
Telefax: +82 2 425 3191  
korea@fischbach-fi.com

**Fischbach Ibérica, S.A.**  
17410 Sils (Girona), Spain  
Telefon: +34-972-16 84 87  
Telefax: +34-972-16 83 24  
spain@fischbach-fi.com

**Fischbach (Shanghai) Co., Ltd.**  
Shanghai, China 201708  
Telefon: +86-21-6979-1423  
Telefax: +86-21-6979-1426  
china@fischbach-fi.com

**Fischbach Belgium N.V.**  
9140 Temse, Belgium  
Telefon: +32-3-710 96 20  
Telefax: +32-3-710 96 31  
belgium@fischbach-fi.com

**Fischbach U.K. Ltd.**  
Cheshire WA7 1SN, Great Britain  
Telefon: +44-1928-579320  
Telefax: +44-1928-579403  
uk@fischbach-fi.com

**Fischbach USA Inc.**  
 Elizabethtown, Kentucky, 42701 USA  
Telefon: +1-270-7 69 93 33  
Telefax: +1-270-7 69 96 23  
usa@fischbach-fi.com