



PLUNGERS

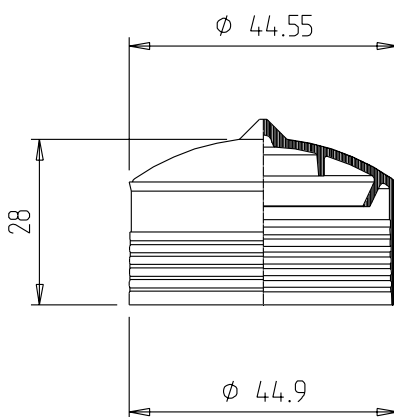
TYPE K 28 LO

CAN BE COMBINED WITH

280 ml Fischbach cartridges

ADVANTAGEOUS FEATURES

- > suitable for most sealing compounds
- > good mechanical handling especially on fully automatic filling lines
- > the convex plunger head enables plunger setting without trapping of air
- > the inwardly slanted plunger expanding ring increases the plunger diameter during pressing for optimum emptying of the cartridge even with viscous masses
- > mechanical and pneumatic devices can be used for applying the product
- > plunger with extended height for improved stability inside the cartridge against tilting



General tolerance:

DIN 16 901-150. Subject to technical changes.
Our product recommendations are based on empirical data only and cannot replace the customer's own tests.

TECHNICAL SPECIFICATIONS

Material: HDPE

Weight: 5,9 g

Packaging unit: 1400 pcs./box

Fischbach GmbH
51766 Engelskirchen, Germany
Telefon: +49 2263 609 0
info@fischbach-fi.com

Fischbach Ibérica, S.A.
17410 Sils (Girona), Spain
Telefon: +34 972 168 487
spain@fischbach-fi.com

Fischbach Belgium N.V.
9140 Temse, Belgium
Telefon: +32 371 096 20
belgium@fischbach-fi.com

Fischbach USA LLC
 Elizabethtown, Kentucky, 42701 USA
Telefon: +1 270 769 9333
usa@fischbach-fi.com

Fischbach Korea Co., Ltd.
Songpa-Gu, Seoul, Korea
Telefon: +82 2 425 3092
korea@fischbach-fi.com

Fischbach (Shanghai) Co., Ltd.
Shanghai, China 201708
Telefon: +86 21 6979 1423
china@fischbach-fi.com

Fischbach U.K. Ltd.
Cheshire WA7 1SN, Great Britain
Telefon: +44 1928 579 320
uk@fischbach-fi.com

www.fischbach-fi.com