



## PLUNGERS

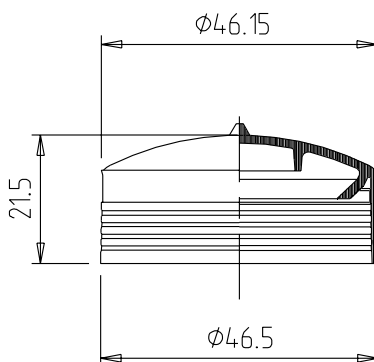
### TYPE K 18 FLAT

#### CAN BE COMBINED WITH

310 ml Fischbach cartridges

#### ADVANTAGEOUS FEATURES

- > suitable for most sealing compounds
- > good mechanical handling especially on fully automatic filling lines
- > the convex plunger head enables plunger setting without trapping of air
- > the inwardly slanted plunger expanding ring increases the plunger diameter during pressing for more efficient emptying of the cartridge even with viscous masses
- > mechanical and pneumatic devices can be used for applying the product



#### TECHNICAL SPECIFICATIONS

Material: HDPE

Weight: 5,4 g

Packaging unit: 1120 pcs./box

General tolerance:

DIN 16 901-150. Subject to technical changes.

Our product recommendations are based on empirical data only and cannot replace the customer's own tests.

**Fischbach GmbH**  
51766 Engelskirchen, Germany  
Telefon: +49 2263 609 0  
info@fischbach-fi.com

**Fischbach Ibérica, S.A.**  
17410 Sils (Girona), Spain  
Telefon: +34 972 168 487  
spain@fischbach-fi.com

**Fischbach Belgium N.V.**  
9140 Temse, Belgium  
Telefon: +32 371 096 20  
belgium@fischbach-fi.com

**Fischbach USA LLC**  
Elizabethtown, Kentucky, 42701 USA  
Telefon: +1 270 769 9333  
usa@fischbach-fi.com

**Fischbach Korea Co., Ltd.**  
Songpa-Gu, Seoul, Korea  
Telefon: +82 2 425 3092  
korea@fischbach-fi.com

**Fischbach (Shanghai) Co., Ltd.**  
Shanghai, China 201708  
Telefon: +86 21 6979 1423  
china@fischbach-fi.com

**Fischbach U.K. Ltd.**  
Cheshire WA7 1SN, Great Britain  
Telefon: +44 1928 579 320  
uk@fischbach-fi.com

[www.fischbach-fi.com](http://www.fischbach-fi.com)