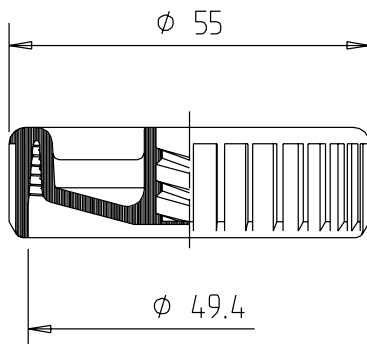




ACCESSORIES

THREADED LID V09



CAN BE COMBINED WITH

150 ml, 290 ml and 310 ml Fischbach cartridges with exception of the cartridges E 310 L and ED 310 L

threaded spindle short S09 and threaded spindle long S01

ADVANTAGEOUS FEATURES

- > manual application with threaded spindle possible without application device
- > secure adaptation to cartridge end due to self-cutting buttress thread in threaded lid
- > seals cartridge on the open piston side
- > protects the piston
- > prevents emergence of creeping media from the cartridge
- > the treaded lid can be reused

TECHNICAL SPECIFICATIONS

Material: HDPE

Weight: 4,3 g

Packaging unit: 2000 pcs./box

General tolerance:

DIN 16 901-150. Subject to technical changes.

Our product recommendations are based on empirical data only and cannot replace the customer's own tests.

Fischbach GmbH
51766 Engelskirchen, Germany
Telefon: +49 (0) 2263 6090
info@fischbach-fi.com

Fischbach Ibérica, S.A.
17410 Sils (Girona), Spain
Telefon: +34-972-16 84 87
spain@fischbach-fi.com

Fischbach Belgium N.V.
9140 Temse, Belgium
Telefon: +32-3-710 96 20
belgium@fischbach-fi.com

Fischbach USA LLC
Elizabethtown, Kentucky, 42701 USA
Telefon: +1-270-7 69 93 33
usa@fischbach-fi.com

Fischbach Korea Co., Ltd.
Songpa-Gu, Seoul, Korea
Telefon: +82 2 425 3092
korea@fischbach-fi.com

Fischbach (Shanghai) Co., Ltd.
Shanghai, China 201708
Telefon: +86-21-6979-1423
china@fischbach-fi.com

Fischbach U.K. Ltd.
Cheshire WA7 1SN, Great Britain
Telefon: +44-1928-579320
uk@fischbach-fi.com

www.fischbach-fi.com